

Natural Tiles Ltd.

Natural Clay Quarry Tiles, Paving, Cladding & Facades

Naturals Range - Fittings and Accessories

A full range of fittings to complement the Naturals range of quarry tiles. Suitable for steps, sills and skirtings or any application requiring a neat and practical finish to the main field tiling.

RE (Round Edge)

14 mm thick

Sizes: 400 L x 400 D
300 L x 300 D
195 L x 195 D
400 L x 300 D
195 L x 300 D
150 L x 150 D

REX(Double Round Edge)

14 mm thick

Sizes: 195 L x 195 D
150 L x 150 D

REX not available in sizes over 195 x 195

Stepread

14 mm thick

Sizes: 400 L x 400 D
300 L x 300 D
195 L x 195 D
400 L x 300 D
195 L x 300 D
150 L x 150 D

Safety Bullnose

300

14 mm thick

Sizes: 400 L
300 L
195 L

28

28

Skirting

Length (L)

14 mm thick

117

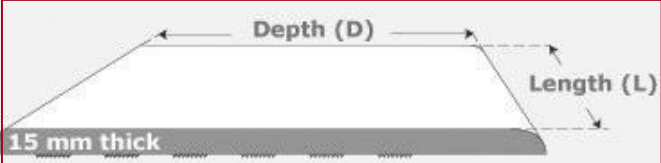
Sizes: 400 L
300 L
195 L
150 L

Easily mitre - cut on site to form internal and external corners

Specification Range - Fittings and Accessories

A full range of fittings to complement the Specification range of quarry tiles. Suitable for steps, sills and skirtings or any application requiring a neat and practical finish to the main field tiling. Cove Skirtings provide the perfect practical solution in hygiene applications.


RE (Round Edge)



15 mm thick

Sizes: 300 L x 300 D
 240 L x 117 D
 200 L x 200 D
 200 L x 300 D
 150 L x 150 D

REX (Double Round Edge)




15 mm thick

Sizes: 200 L x 200 D
 150 L x 150 D

REX not available in sizes over 200 x 200

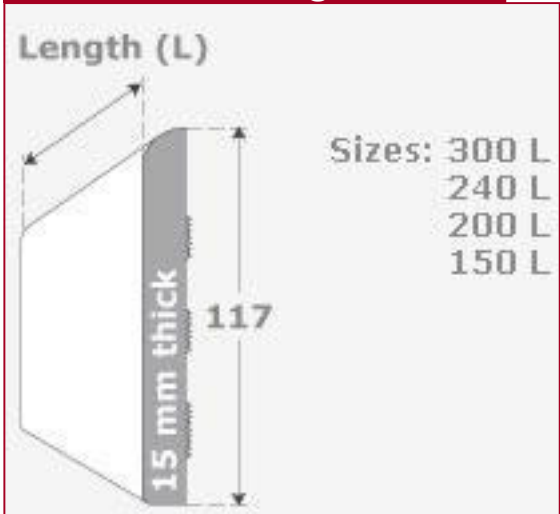
Stepread



15 mm thick

Sizes: 300 L x 300 D
 240 L x 117 D
 200 L x 200 D
 200 L x 300 D
 150 L x 150 D

Skirting



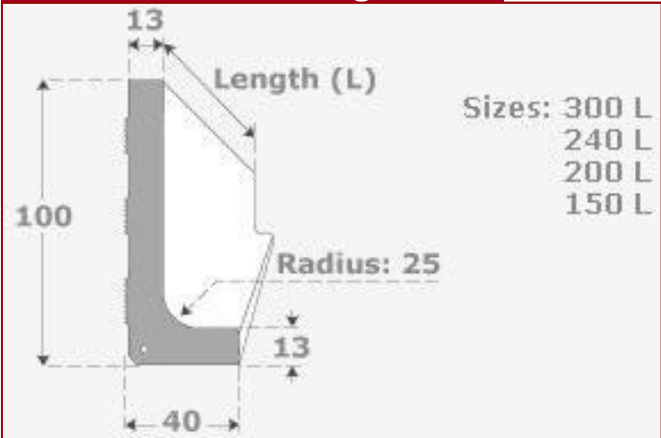
15 mm thick

117

Sizes: 300 L
 240 L
 200 L
 150 L

Easily mitre - cut on site to form internal and external corners

Cove Skirting



100

13

Length (L)

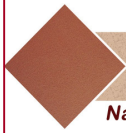
Radius: 25

13

40

Sizes: 300 L
 240 L
 200 L
 150 L

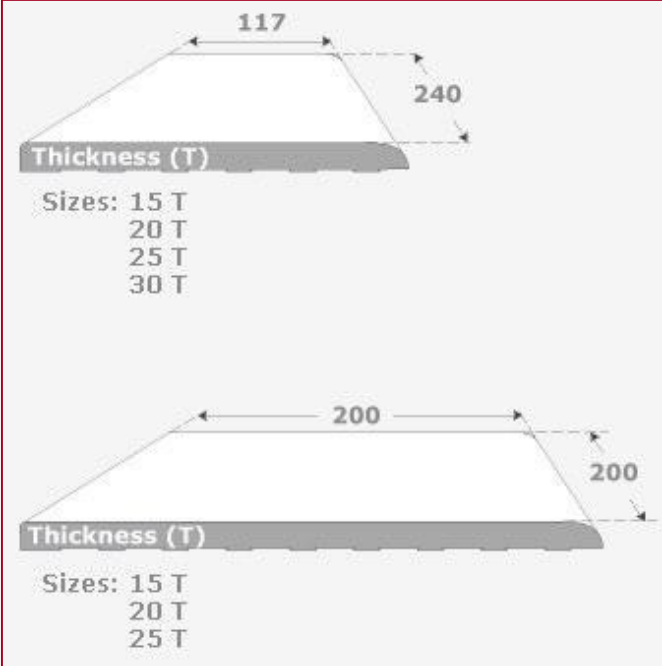
Easily mitre - cut on site to form internal and external corners



Industrial Range - Fittings and Accessories

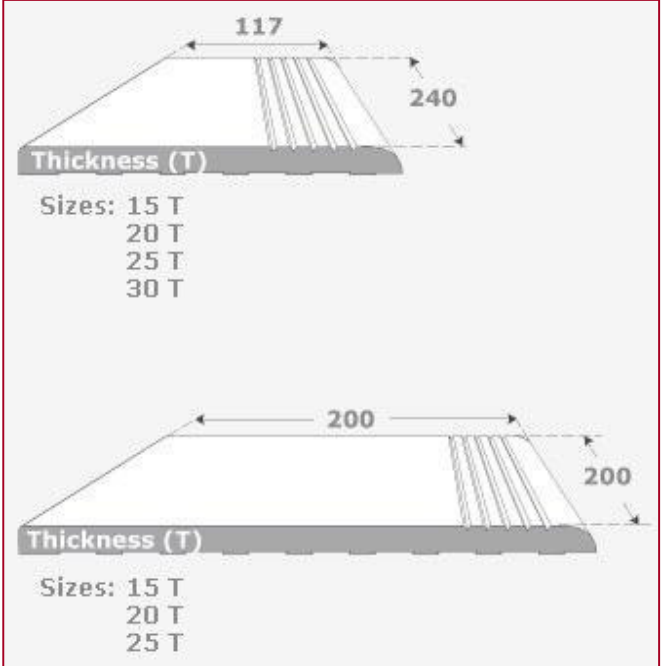
A full range of fittings to complement the Industrial range of quarry tiles. Suitable for steps, sills and skirtings or any application requiring a neat and practical finish to the main field tiling. Cove Skirtings provide the perfect practical solution in hygiene applications.

RE (Round Edge)



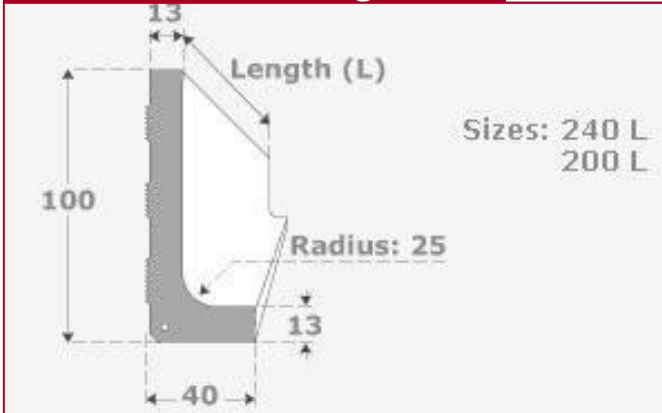
Available in 240 x 117 and 200 x 200 Formats in the relevant thicknesses listed above

Step tread



Available in 240 x 117 and 200 x 200 Formats in the relevant thicknesses listed above

Cove Skirting



Available in 240 and 200 Long. Easily mitre-cut on site to form internal and external corners